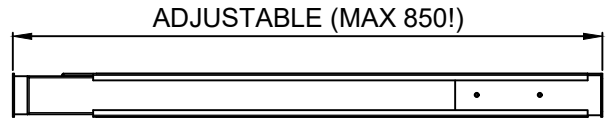
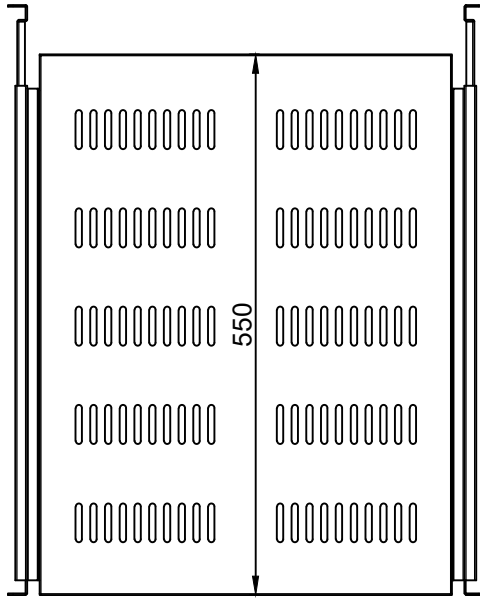


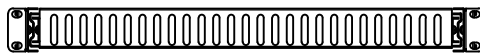
FRONT



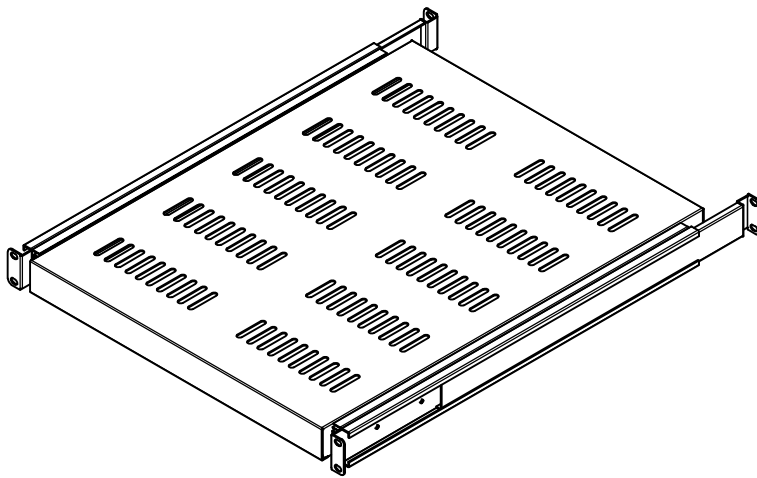
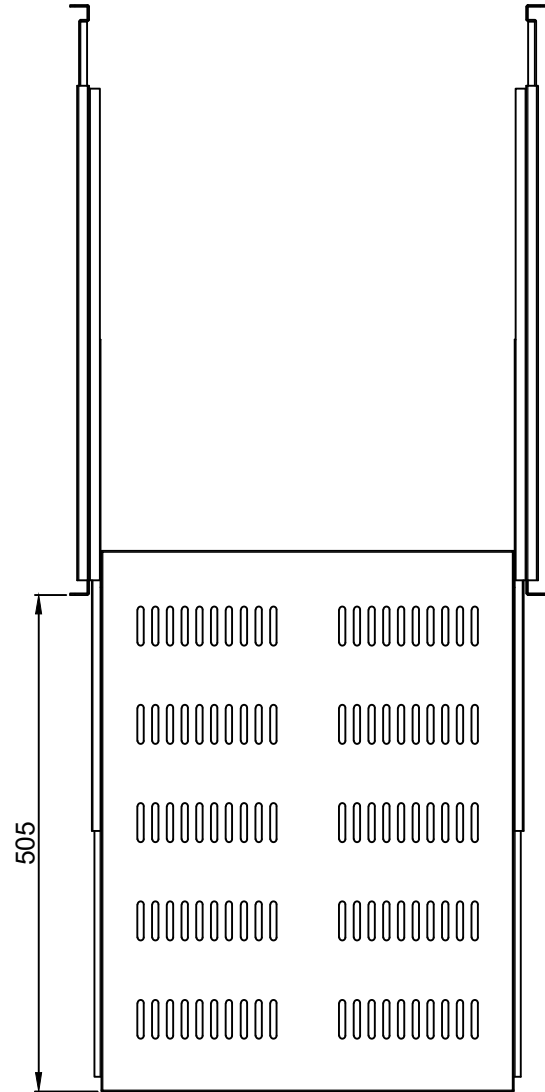
LEFT




TOP



BACK



	<h2>SS180</h2>	<b>Product description:</b> SLIDING SHELF FOR 19" RACK CABINET 420 MM W x 550 MM D	
	<b>Weight:</b>  4,1 kg	<b>Outer dimensions:</b> (w x h x d) 483,5 x 43,7 x 550	<b>Unit height:</b>  1 HE