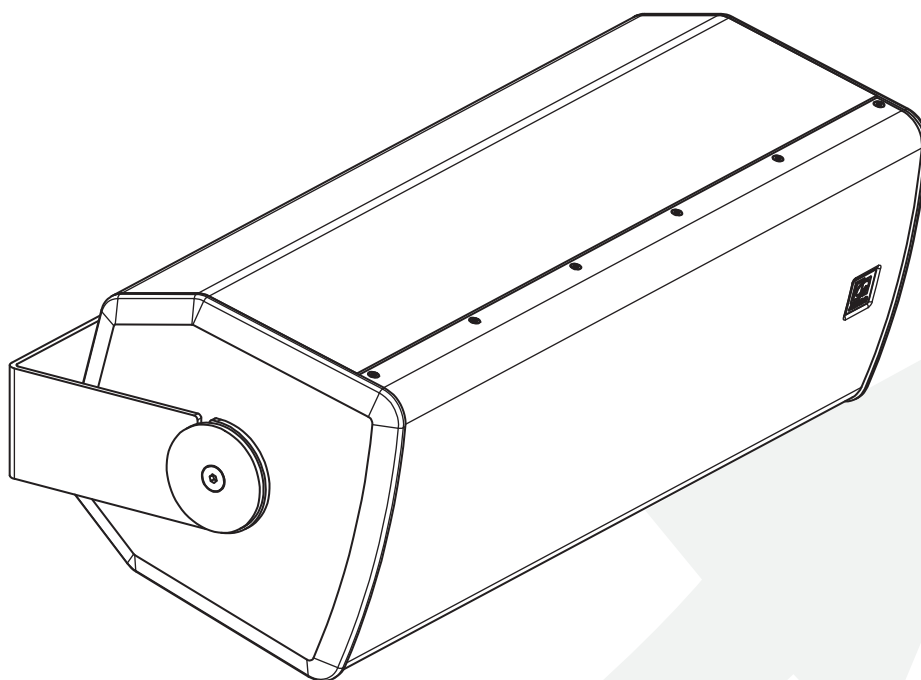


VEXO208I



| | |
|--|-----------|
| Introduction | 03 |
| High performance loudspeaker | 03 |
| Precautions | 04 |
| Chapter 1 | 06 |
| Overview and connecting VEXO208I | 06 |
| Chapter 2 | 07 |
| Installing VEXO208I | 07 |
| Technical specifications | 09 |

ADDITIONAL INFORMATION

This manual is put together with much care, and is as complete as could be on the publication date. However, updates on the specifications, functionality or software may have occurred since publication. To obtain the latest version of both manual and software, please visit the Audac website @ www.audac.eu.



High performance loudspeaker

The VEXO208I is a high-output 3-way loudspeaker, providing a powerful and detailed signature sound of the VEXO family with a dual 8-inch driver in a compact cabinet.

The combination of the elegant enclosure and high performance allows them to be used in installation applications that require both a modern look and a unique audio experience from nightclubs to sports facilities. Compression driver overload protection is provided through an internal limiting circuit. Mounting in both horizontal and vertical directions is possible with the included wall bracket. An optional 70/100V transformer module can be installed to use VEXO208I in Hi-Z systems. The VEXO208I loudspeaker is available in Black (/B) or White (/W).

READ FOLLOWING INSTRUCTIONS FOR YOUR OWN SAFETY

ALWAYS KEEP THESE INSTRUCTIONS. NEVER THROW THEM AWAY

ALWAYS HANDLE THIS UNIT WITH CARE

HEED ALL WARNINGS

FOLLOW ALL INSTRUCTIONS

NEVER EXPOSE THIS EQUIPMENT TO RAIN, MOISTURE, ANY DRIPPING OR SPLASHING LIQUID. AND NEVER PLACE AN OBJECT FILLED WITH LIQUID ON TOP OF THIS DEVICE

NO NAKED FLAME SOURCES, SUCH AS LIGHTED CANDLES, SHOULD BE PLACED ON THE APPARATUS

DO NOT PLACE THIS UNIT IN AN ENCLOSED ENVIRONMENT SUCH AS A BOOKSHELF OR CLOSET. ENSURE THERE IS ADEQUATE VENTILATION TO COOL THE UNIT. DO NOT BLOCK THE VENTILATION OPENINGS.

DO NOT STICK ANY OBJECTS THROUGH THE VENTILATION OPENINGS.

DO NOT INSTALL THIS UNIT NEAR ANY HEAT SOURCES SUCH AS RADIATORS OR OTHER APPARATUS THAT PRODUCE HEAT

DO NOT PLACE THIS UNIT IN ENVIRONMENTS WHICH CONTAIN HIGH LEVELS OF DUST, HEAT, MOISTURE OR VIBRATION

THIS UNIT IS DEVELOPED FOR INDOOR USE ONLY. DO NOT USE IT OUTDOORS

PLACE THE UNIT ON A STABLE BASE OR MOUNT IT IN A STABLE RACK

ONLY USE ATTACHMENTS & ACCESSORIES SPECIFIED BY THE MANUFACTURER

UNPLUG THIS APPARATUS DURING LIGHTNING STORMS OR WHEN UNUSED FOR LONG PERIODS OF TIME

THE MAINS PLUG OR APPLIANCE COUPLER IS USED AS THE DISCONNECT DEVICE, SO THE DISCONNECT DEVICE SHALL BE READILY OPERABLE

USE THE APPARATUS ONLY IN MODERATE CLIMATES

**CAUTION - SERVICING**

This product contains no user serviceable parts. Refer all servicing to qualified service personnel. Do not perform any servicing (unless you are qualified to)

**EC DECLARATION OF CONFORMITY**

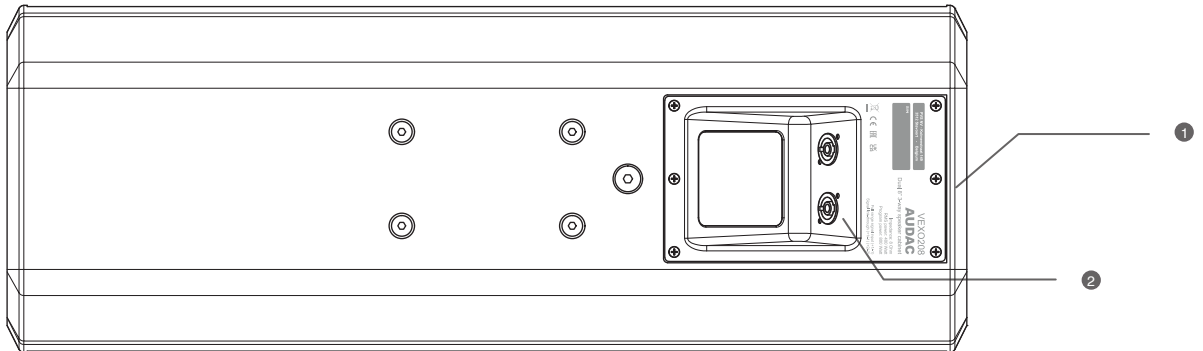
This product conforms to all the essential requirements and further relevant specifications described in following directives: 2014/30/EU (EMC2) & 2014/35/EU (LVD).

**WASTE ELECTRICAL AND ELECTRONIC EQUIPMENT (WEEE)**

The WEEE marking indicates that this product should not be disposed with regular household waste at the end of its life cycle. This regulation is created to prevent any possible harm to the environment or human health.

This product is developed and manufactured with high quality materials and components which can be recycled and/or reused. Please dispose this product at your local collection point or recycling centre for electrical and electronic waste. This will make sure that it will be recycled in an environmentally friendly manner, and will help to protect the environment in which we all live.

Overview and connecting VEXO208I



1) Rigging points

The VEXO208I is equipped with two M10 rigging points on the sides for the included U bracket. At the back of the unit, you will find a M8 mounting pattern. This universal pattern serves as a mounting point for various mounting arrangements.

2) SpeakON compatible

The wires coming from the amplifier should be connected to the speakON on the back of the loudspeaker. The used speaker connectors are 4-pin models where to the full range signal should be connected to +1/-1 terminals.

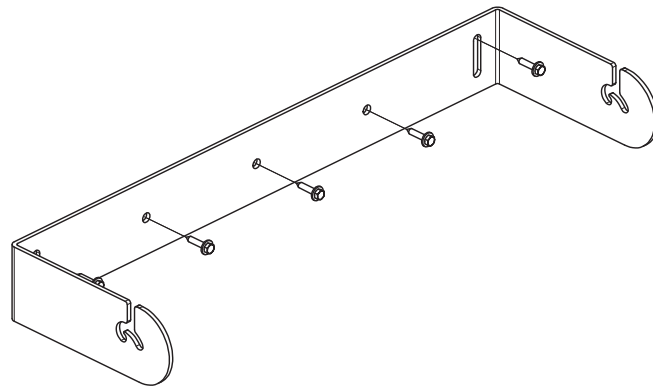
The second connector can be used for linking the signal coming from the amplifier to other loudspeakers, resulting in a parallel network of multiple loudspeakers.

Installing VEXO208I

The VEXO208I comes with a U bracket for horizontal and vertical installation.

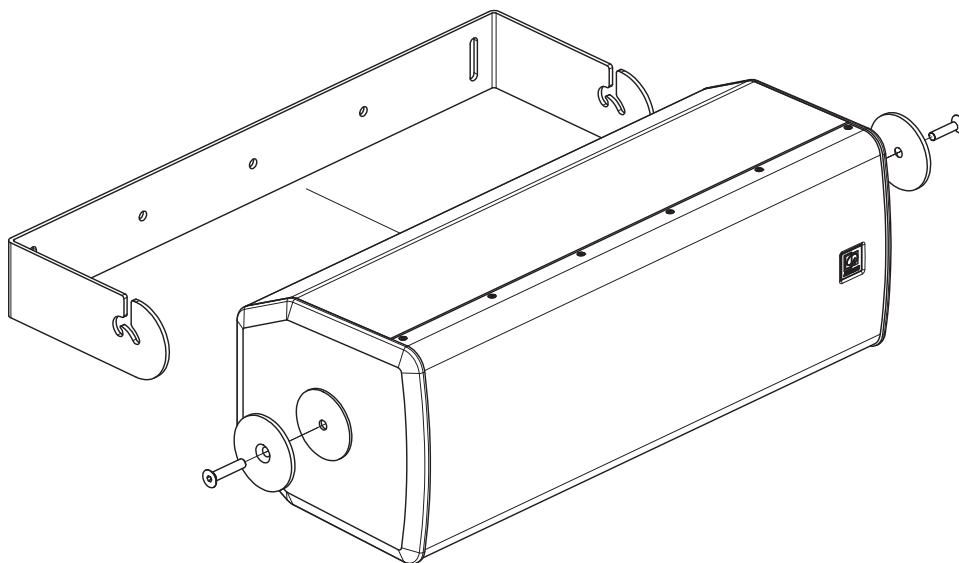
1) Install the U bracket

The VEXO208I is equipped with two M10 rigging points on the sides for the included U bracket. The first step is mounting the supplied U bracket to the desired location on the wall. The wall mount has to be fixed by four screws. The used fasteners should be chosen depending to the mounting surface (brick, concrete, wood, ...)



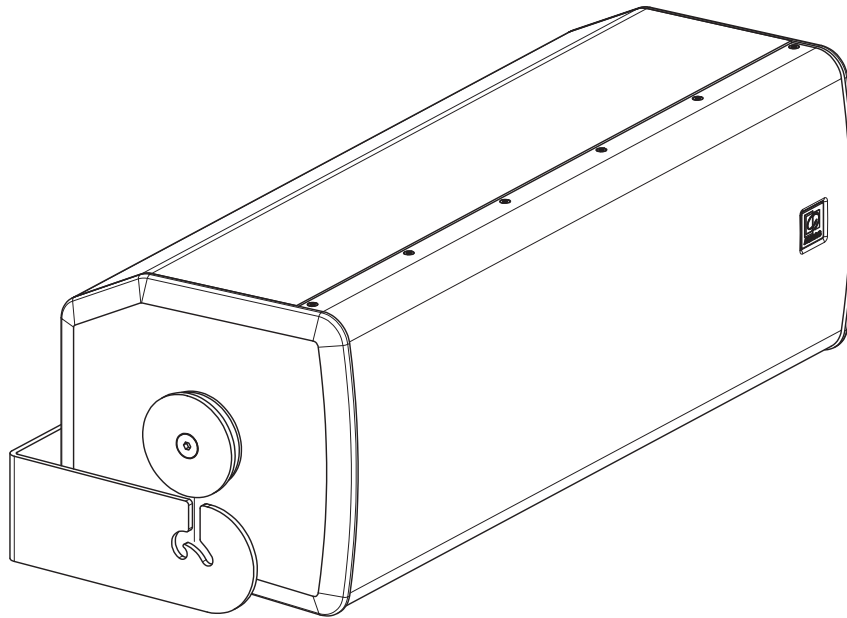
2) Install M10 rigging screws

Insert the M10 bolts through rubber and metal washers and into the center threaded holes (top and bottom). The U-bracket will be placed between those rubber washers and speaker should be placed to the desired slots.



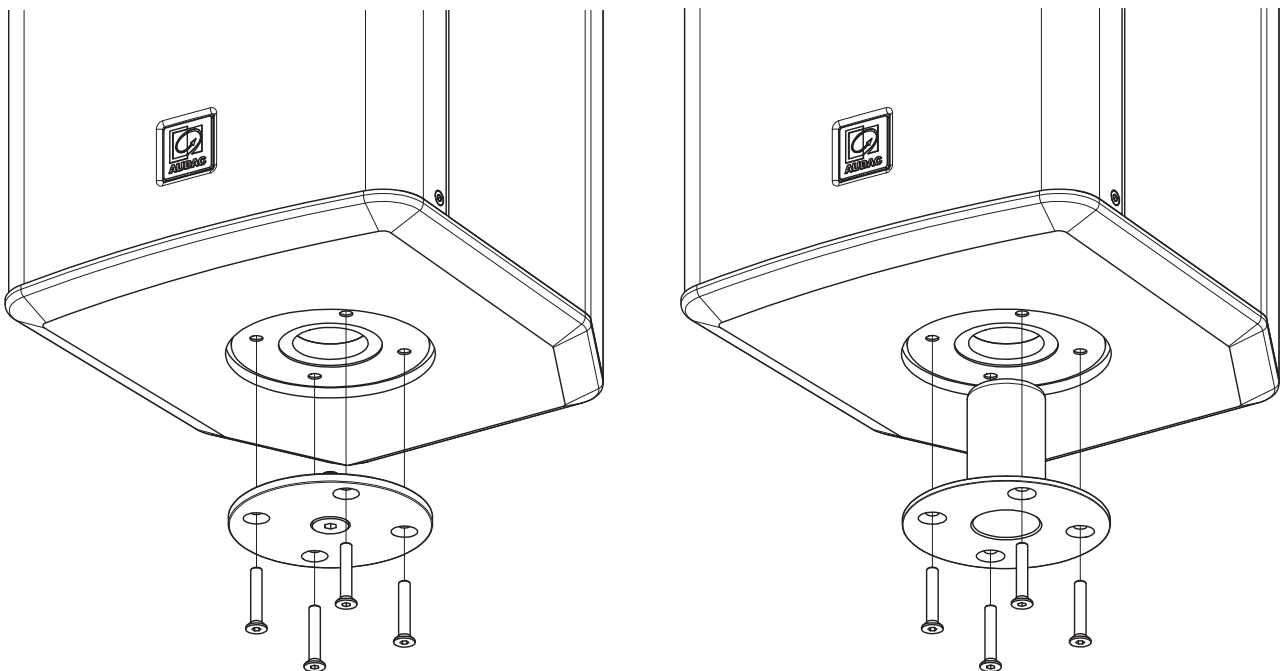
3) Placing the VEXO208I into the U bracket

Thanks to the dual slotted design, the VEXO208I can be mounted two different positions. The rear slot provides an installation closer to the mounted surface that gives clear and neat impression. Carefully place the VEXO208I into the desired slot of the U-bracket. Once the desired aiming angle is set, the M10 fixing screws aligned with the slides can be tightened.



4) Install the pole mount

The VEXO208I can be pole mounted with the optional pole adaptor. This option allows the VEXO208I to be pole mounted on tripods or the BASSO1xx series. The bottom plate of the VEXO208I must be removed by removing 4 M6 bolts and replaced with CHB196. Once the CHB196 is successfully replaced, tighten back those 4 M6 bolts.



Technical specifications



| | VEXO208I |
|--------------------------|---|
| Peak Power handling | 1600 Watt |
| Program Power handling | 800 Watt |
| Continuous power (AES) | 400 Watt |
| Nominal impedance | 8 Ohm |
| Sensitivity 1W/1m | 94 dB |
| Max SPL (Continuous) | 121 dB |
| Frequency response - 3dB | 62Hz - 20 kHz |
| Drivers | Compression driver with 1.4" voice coil and 1" throat 1 x 8" Coaxial LF with 2" voice coil, 1x8" LF with 1.8" voice coil |
| Coverage | 96° x 100° (Avg 1 kHz – 4 kHz -6dB 1/3 oct) |
| Connectors | 2 x speaker connectors (linkthrough) Speakon compatible |
| Construction | Plywood with Polyurea coating |
| Front finish | Powder coated steel grill with acoustical foam |
| Rigging points | 2 x M10 (bracket) |
| Stand fitting | Optional |
| Handle | None |
| Mounting pattern | At the back of the device (108 x 50.8 mm) |
| Colour | White (RAL9003) Black (RAL9004) |
| Dimensions (w x h x d) | 710 x 260 x 290 mm |
| Weight | 17 Kg |
| Included accessories | U bracket Drop safety wire |
| Optional accessories | 70/100V transformer module (TRM012 - 120W & 60W power taps, TRM024 - 240W & 120W power taps) |



Discover more on audac.eu