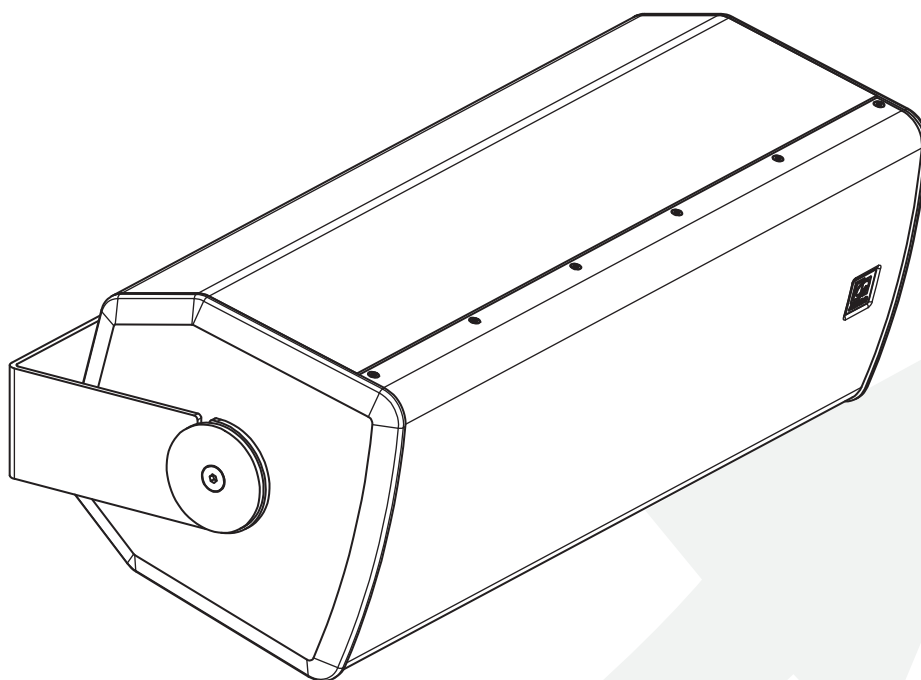


VEXO206



Introduction	03
High performance loudspeaker	03
Precautions	04
Chapter 1	06
Overview and connecting VEXO206	06
Chapter 2	07
Installing VEXO206	07
Technical specifications	09

ADDITIONAL INFORMATION

This manual is put together with much care, and is as complete as could be on the publication date. However, updates on the specifications, functionality or software may have occurred since publication. To obtain the latest version of both manual and software, please visit the Audac website @ www.audac.eu.



High performance loudspeaker

The VEXO206 is a high-output 2.5-way loudspeaker, providing a powerful and detailed signature sound of the VEXO family with a dual 6.5-inch driver in a compact cabinet.

The combination of the elegant enclosure and high performance allows them to be used in installation applications that require both a modern look and a unique audio experience from nightclubs to sports facilities. Compression driver overload protection is provided through an internal limiting circuit. Mounting in both horizontal and vertical directions is possible with the included wall bracket. An optional 70/100V transformer module can be installed to use VEXO206 in Hi-Z systems. The VEXO206 loudspeaker is available in Black (/B) or White (/W).

READ FOLLOWING INSTRUCTIONS FOR YOUR OWN SAFETY

ALWAYS KEEP THESE INSTRUCTIONS. NEVER THROW THEM AWAY

ALWAYS HANDLE THIS UNIT WITH CARE

HEED ALL WARNINGS

FOLLOW ALL INSTRUCTIONS

NEVER EXPOSE THIS EQUIPMENT TO RAIN, MOISTURE, ANY DRIPPING OR SPLASHING LIQUID. AND NEVER PLACE AN OBJECT FILLED WITH LIQUID ON TOP OF THIS DEVICE

NO NAKED FLAME SOURCES, SUCH AS LIGHTED CANDLES, SHOULD BE PLACED ON THE APPARATUS

DO NOT PLACE THIS UNIT IN AN ENCLOSED ENVIRONMENT SUCH AS A BOOKSHELF OR CLOSET. ENSURE THERE IS ADEQUATE VENTILATION TO COOL THE UNIT. DO NOT BLOCK THE VENTILATION OPENINGS.

DO NOT STICK ANY OBJECTS THROUGH THE VENTILATION OPENINGS.

DO NOT INSTALL THIS UNIT NEAR ANY HEAT SOURCES SUCH AS RADIATORS OR OTHER APPARATUS THAT PRODUCE HEAT

DO NOT PLACE THIS UNIT IN ENVIRONMENTS WHICH CONTAIN HIGH LEVELS OF DUST, HEAT, MOISTURE OR VIBRATION

THIS UNIT IS DEVELOPED FOR INDOOR USE ONLY. DO NOT USE IT OUTDOORS

PLACE THE UNIT ON A STABLE BASE OR MOUNT IT IN A STABLE RACK

ONLY USE ATTACHMENTS & ACCESSORIES SPECIFIED BY THE MANUFACTURER

UNPLUG THIS APPARATUS DURING LIGHTNING STORMS OR WHEN UNUSED FOR LONG PERIODS OF TIME

THE MAINS PLUG OR APPLIANCE COUPLER IS USED AS THE DISCONNECT DEVICE, SO THE DISCONNECT DEVICE SHALL BE READILY OPERABLE

USE THE APPARATUS ONLY IN MODERATE CLIMATES

**CAUTION - SERVICING**

This product contains no user serviceable parts. Refer all servicing to qualified service personnel. Do not perform any servicing (unless you are qualified to)

**EC DECLARATION OF CONFORMITY**

This product conforms to all the essential requirements and further relevant specifications described in following directives: 2014/30/EU (EMC2) & 2014/35/EU (LVD).

**WASTE ELECTRICAL AND ELECTRONIC EQUIPMENT (WEEE)**

The WEEE marking indicates that this product should not be disposed with regular household waste at the end of its life cycle. This regulation is created to prevent any possible harm to the environment or human health.

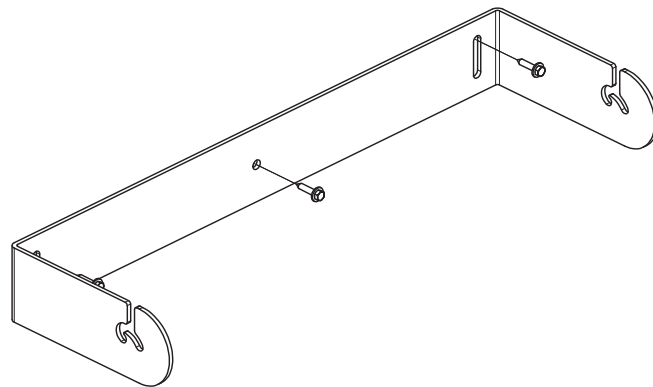
This product is developed and manufactured with high quality materials and components which can be recycled and/or reused. Please dispose this product at your local collection point or recycling centre for electrical and electronic waste. This will make sure that it will be recycled in an environmentally friendly manner, and will help to protect the environment in which we all live.

Installing VEXO206

The VEXO206 comes with a U bracket for horizontal and vertical installation.

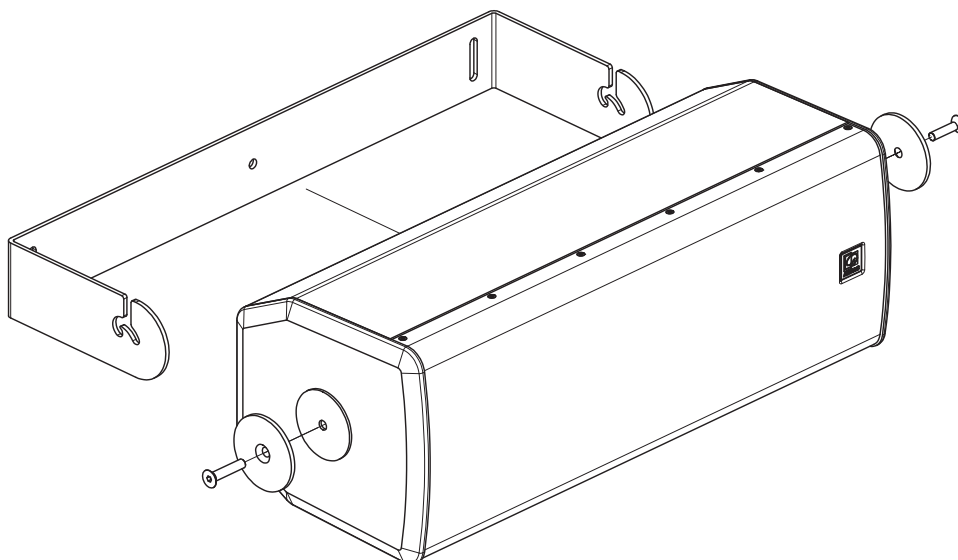
1) Install the U bracket

The VEXO206 is equipped with two M8 rigging points on the sides for the included U bracket. The first step is mounting the supplied U bracket to the desired location on the wall. The wall mount has to be fixed by three screws. The used fasteners should be chosen depending to the mounting surface (brick, concrete, wood, ...)



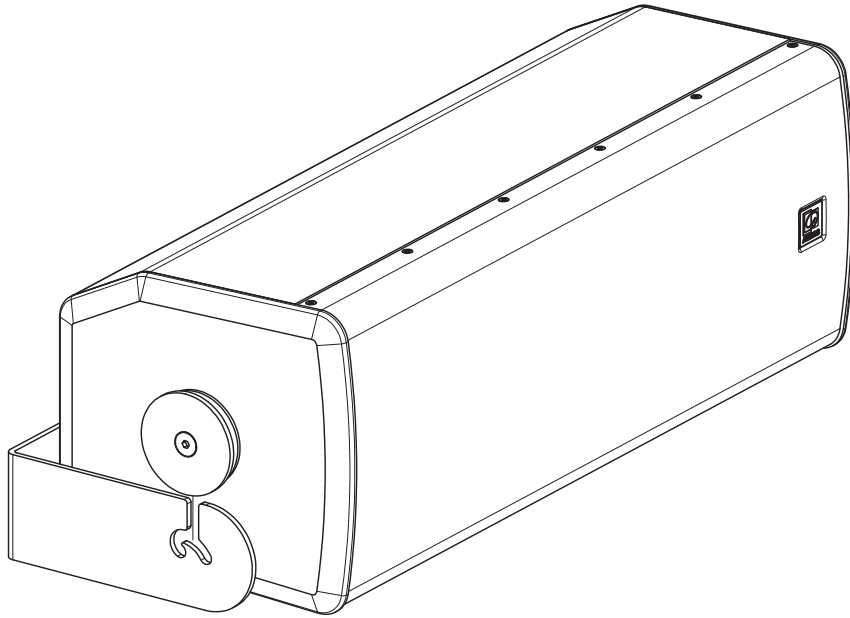
2) Install M8 rigging screws

Insert the M8 bolts through rubber and metal washers and into the center threaded holes (top and bottom). The U-bracket will be placed between those rubber washers and speaker should be placed to the desired slots.



3) Placing the VEXO206 into the U bracket

Thanks to the dual slotted design, the VEXO206 can be mounted two different positions. The rear slot provides an installation closer to the mounted surface that gives clear and neat impression. Carefully place the VEXO206 into the desired slot of the U-bracket. Once the desired aiming angle is set, the M8 fixing screws aligned with the slides can be tightened.



Technical specifications



VEXO206	
Peak Power handling	1000 Watt
Program Power handling	500 Watt
Continuous power (AES)	250 Watt
Nominal impedance	8 Ohm
Sensitivity 1W/1m	95 dB
Max SPL (Continuous)	119 dB
Frequency response - 3dB	69Hz - 20 kHz
Drivers	Compression driver with 1" voice coil and 0.5" throat 2 x 6.5" with 1.5" voice coil
Coverage	117° x 114° (Avg 1 kHz – 4 kHz -6dB 1/3 oct)
Connectors	2 x speaker connectors (linkthrough) Speakon compatible
Construction	15 mm Multiply Plywood with Polyurea coating
Front finish	Powder coated steel grill with acoustical foam
Rigging points	2 x M8 (bracket)
Stand fitting	Optional (bottom flange)
Handle	None
Mounting pattern	At the back of the device (108 x 50.8 mm)
Colour	White (RAL9003) Black (RAL9004)
Dimensions (w x h x d)	560 x 211 x 220 mm
Weight	14 Kg
Included accessories	U bracket Drop safety wire
Optional accessories	70/100V transformer module (TRM012 - 120W & 60W power taps, TRM024 - 240W & 120W power taps)



Discover more on audac.eu