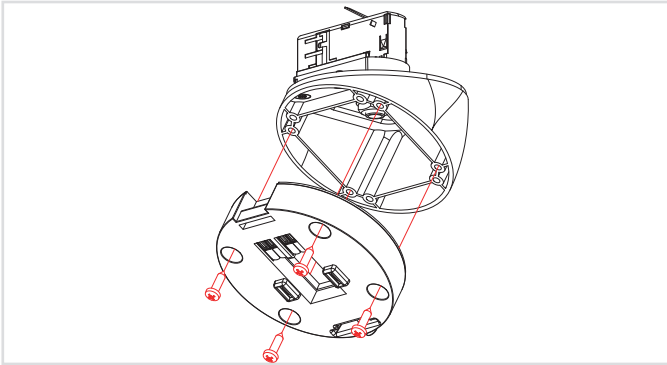


Light track adapter mount for ATEO4M - Smart 3-Phase Track

The RMA45M is an adapter for assembling ATEO4M loudspeakers* on lighting track rails which are commonly used in installations such as retail environments. The angled construction offers optimal possibilities for inclination in any direction. A mechanical connection is provided, without having any electrical connection between the loudspeaker and the lighting track rail. It is compatible with smart 3-phase lighting track rails from most major brands including Eutrac, Staff, Nordic, Global, Ivela and Stucchi.

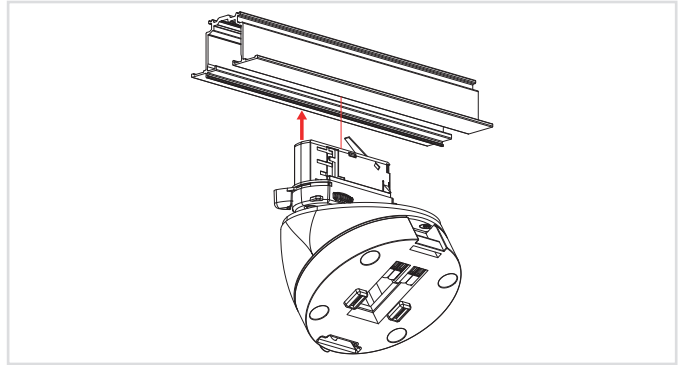
*ATEO4M loudspeaker not included with RMA45M.

STEP 1



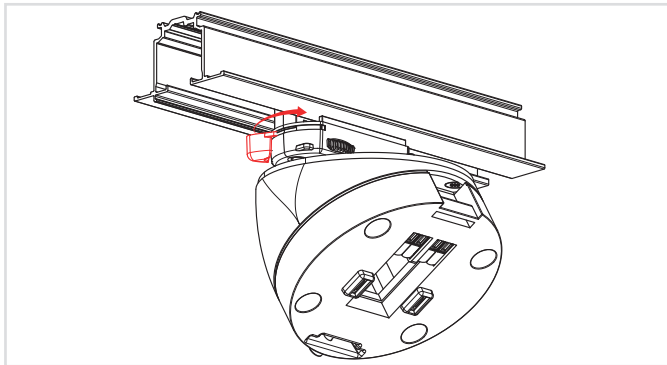
The first step is mounting the supplied wall mount to the light track adapter mount. The wall mount has to be fixed by four screws in a quadrangular shape. Distance between mounting holes are shown ATEOxM User Manual.

STEP 2



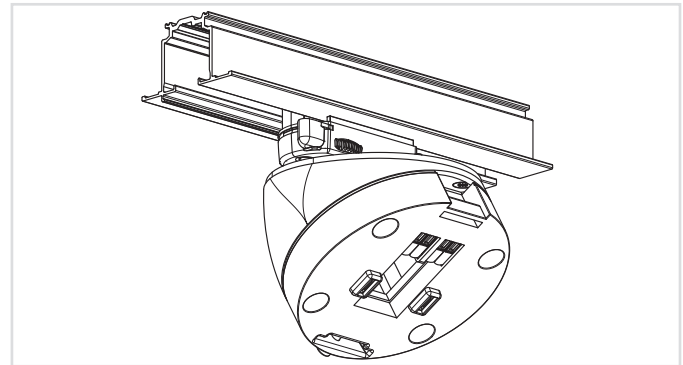
The the combined mounting system can be inserted through the light track rail directly as can be seen in the visual.

STEP 3



When inserted in the rail, slide the lock on the side to counter-clockwise and lock it.

STEP 4



The light track adapter is now locked in place and ready for getting the ATEO4M speaker assembled. Mount the ATEO4M speaker to the combined CleverMount+™ and RMA45M. ATEO4M has two connection latches on it and those connection latches should be placed to attachment points on CleverMount+™ mounting system.

When the mounting is done correctly, connecting blades of mounting system will be mated with ATEO4M and a clicking sound will be heard.