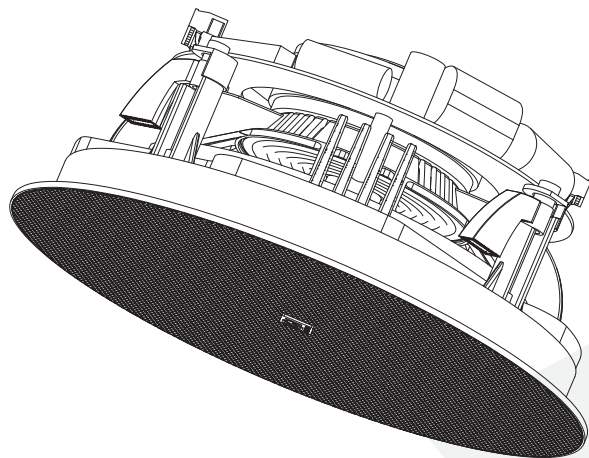


# CELO8SI



<b>Introduction</b>	<b>03</b>
High-end slim ceiling subwoofer .....	03
<b>Precautions</b>	<b>04</b>
<b>Chapter 1</b>	<b>06</b>
Installing the CELO8SI .....	06
<b>Technical specifications</b>	<b>08</b>

## ADDITIONAL INFORMATION

This manual is put together with much care, and is as complete as could be on the publication date. However, updates on the specifications, functionality or software may have occurred since publication. To obtain the latest version of both manual and software, please visit the Audac website @ [audac.eu](http://audac.eu).



## High-end slim ceiling subwoofer

The CELO8SI is the next step in our journey to provide an impeccable musical atmosphere. This 8" ceiling subwoofer is fitted with a stiff and light aluminum membrane, resulting in detailed and punchy bass, while the open back design enables the CELO8SI to reproduce low frequencies in the most natural way possible. Its integrated stereo crossover enables you to effortlessly connect your satellite speakers, resulting in the absolute finest full range musical atmosphere.

To overcome the architectural challenges of the most luxurious interior designs, the CELO8SI is fitted with our SlimLine™ grill design with an exceptionally thin border of only 1 mm and a minimized grill depth, extruding merely 3.2 mm from the ceiling surface. In addition, the grill is completely paintable, making the speaker disappear without sacrificing any sound quality. This elegant and unobtrusive grill is held in place by means of powerful neodymium magnets, making assembly and disassembly simple and reliable.

When the grill is removed, it's clear for anyone to see that the CELO8SI is made by using only the highest quality materials, guaranteeing an unsurpassed sound experience. This results in true to nature sound reproduction for a warm and detailed sound with an RMS power of 50 Watt per channel.

## READ FOLLOWING INSTRUCTIONS FOR YOUR OWN SAFETY

ALWAYS KEEP THESE INSTRUCTIONS. NEVER THROW THEM AWAY

ALWAYS HANDLE THIS UNIT WITH CARE

HEED ALL WARNINGS

FOLLOW ALL INSTRUCTIONS

NEVER EXPOSE THIS EQUIPMENT TO RAIN, MOISTURE, ANY DRIPPING OR SPLASHING LIQUID. AND NEVER PLACE AN OBJECT FILLED WITH LIQUID ON TOP OF THIS DEVICE

NO NAKED FLAME SOURCES, SUCH AS LIGHTED CANDLES, SHOULD BE PLACED ON THE APPARATUS

DO NOT PLACE THIS UNIT IN AN ENCLOSED ENVIRONMENT SUCH AS A BOOKSHELF OR CLOSET. ENSURE THERE IS ADEQUATE VENTILATION TO COOL THE UNIT. DO NOT BLOCK THE VENTILATION OPENINGS.

DO NOT STICK ANY OBJECTS THROUGH THE VENTILATION OPENINGS.

DO NOT INSTALL THIS UNIT NEAR ANY HEAT SOURCES SUCH AS RADIATORS OR OTHER APPARATUS THAT PRODUCE HEAT

DO NOT PLACE THIS UNIT IN ENVIRONMENTS WHICH CONTAIN HIGH LEVELS OF DUST, HEAT, MOISTURE OR VIBRATION

THIS UNIT IS DEVELOPED FOR INDOOR USE ONLY. DO NOT USE IT OUTDOORS

PLACE THE UNIT ON A STABLE BASE OR MOUNT IT IN A STABLE RACK

ONLY USE ATTACHMENTS & ACCESSORIES SPECIFIED BY THE MANUFACTURER

UNPLUG THIS APPARATUS DURING LIGHTNING STORMS OR WHEN UNUSED FOR LONG PERIODS OF TIME

ONLY CONNECT THIS UNIT TO A MAINS SOCKET OUTLET WITH PROTECTIVE EARTHING CONNECTION

THE MAINS PLUG OR APPLIANCE COUPLER IS USED AS THE DISCONNECT DEVICE, SO THE DISCONNECT DEVICE SHALL BE READILY OPERABLE

USE THE APPARATUS ONLY IN MODERATE CLIMATES

## CAUTION

USE CABLES OF THE RIGHT GAUGE TO CONNECT THE LOUDSPEAKER

USE CABLES WITH CLEAR COLOUR CODING INDICATING THE POLARITY AND MAINTAIN THE SAME POLARITY THROUGHOUT THE WHOLE SYSTEM.

ONLY USE THE CORRECT AMPLIFIER OUTPUT VOLTAGE AND IMPEDANCE. EXCEEDING THESE LIMITS COULD CAUSE FIRE OR OTHER FAILURES.

AVOID EXPLOSIONS: DO NOT USE THE SPEAKER AROUND GASOLINE, THINNER OR OTHER COMBUSTIBLES

AVOID ELECTRIC SHOCKS: SWITCH OFF THE AMPLIFIER WHEN CONNECTING THE LOUDSPEAKER

DO NOT USE THE LOUDSPEAKER FOR AN EXTENDED PERIOD OF TIME AT DISTORTED SOUND. THIS COULD CAUSE PERMANENT DAMAGE.



### CAUTION - SERVICING

This product contains no user serviceable parts. Refer all servicing to qualified service personnel. Do not perform any servicing (unless you are qualified to)



### EC DECLARATION OF CONFORMITY

This product conforms to all the essential requirements and further relevant specifications described in following directives: 2014/30/EU (EMC) & 2014/35/EU (LVD).



### WASTE ELECTRICAL AND ELECTRONIC EQUIPMENT (WEEE)

The WEEE marking indicates that this product should not be disposed with regular household waste at the end of its life cycle. This regulation is created to prevent any possible harm to the environment or human health.

This product is developed and manufactured with high quality materials and components which can be recycled and/or reused. Please dispose this product at your local collection point or recycling centre for electrical and electronic waste. This will make sure that it will be recycled in an environmentally friendly manner, and will help to protect the environment in which we all live.

## Installing the CELO8SI

### Introduction

The CELO8SI feature a quick-fixing mechanism, which allows quick and easy installation of the loudspeakers in only a few minutes.

The installation of the CELO8SI requires a minimum amount of installation skills. Before the loudspeaker is installed, the location where to it will be mounted should be carefully checked to make sure the surface can support the weight of the speaker and no lines for water, gas, electricity or other supplies are crossing this point.

### Installation procedure

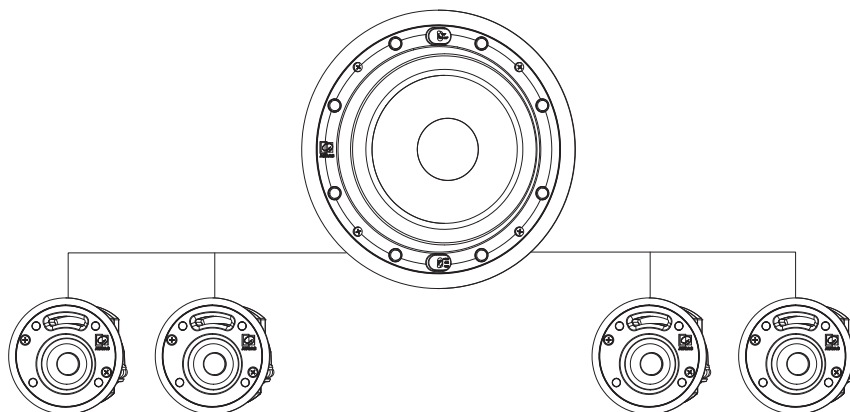
To ensure a safe and secure mounting of the loudspeaker, the installation should be done according to the procedure described below:

1) Cut a hole on the mounting location in the ceiling. Make sure the diameter is matching the cut-out measurement for the installing loudspeaker.

Double check if there are no cables or other obstructions behind the mounting surface before making the cut-out.

	Cut-out Measurement (Ø)
CELO8SI	245 mm

2) The CELO8S features an integrated stereo crossover, enabling you to connect your satellites. Two or four 8 ohm satellites can be used as well as eight 16 Ohm satellites.



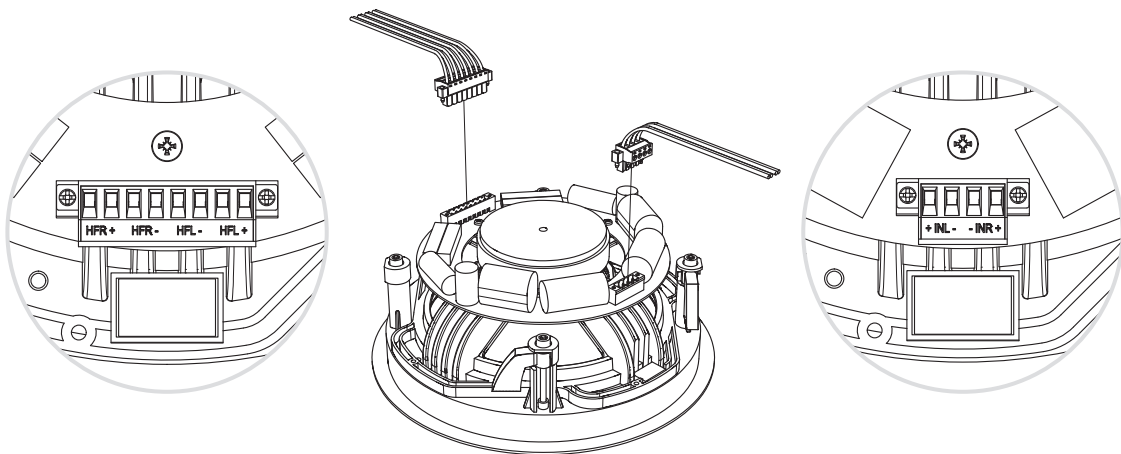
3) Connect the wiring by attaching the cables to the terminal block connectors and plugging them in to the CELO8SI. Make sure the connectors are secured by tightening the set screws.

**HFR:** Connect your right channel satellites

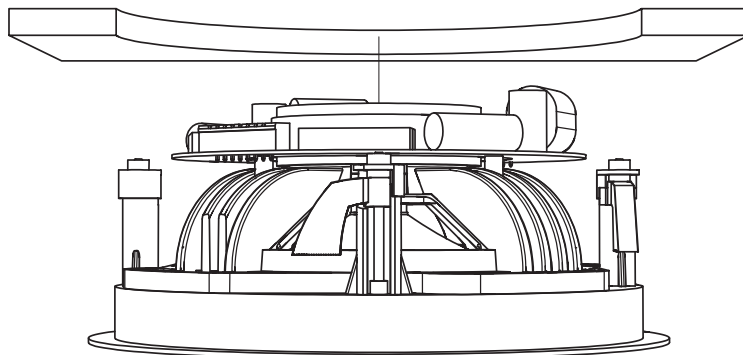
**HFL:** Connect your left channel satellites

**INR:** Connect your right amplifier channel

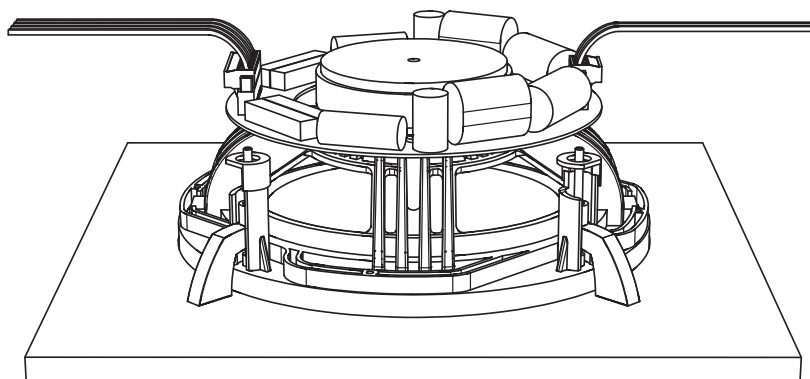
**INL:** Connect your left amplifier channel



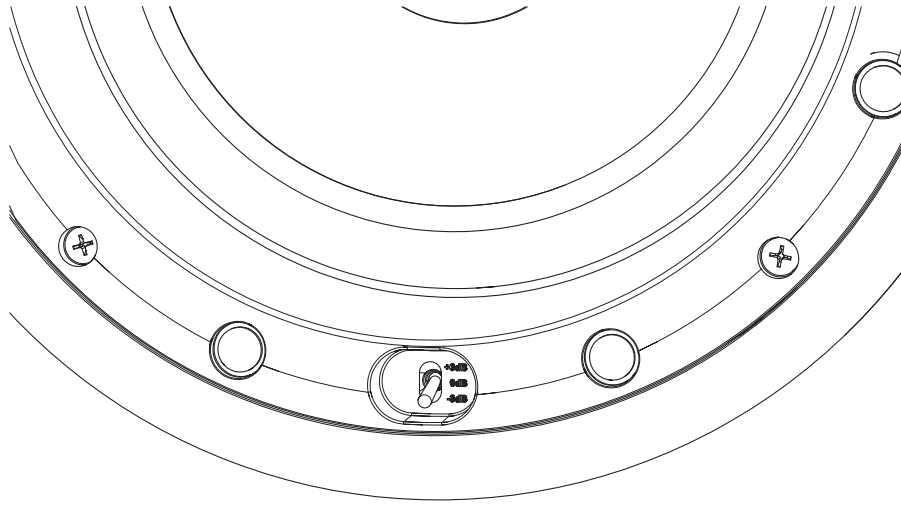
4) Make sure the mounting clamps are fully bended inwards, allowing the speaker to fit through the cut out. Insert the speaker into the cut out and tighten the mounting screws. A quarter turn is enough to flip out the mounting clamps, locking the speaker in place.



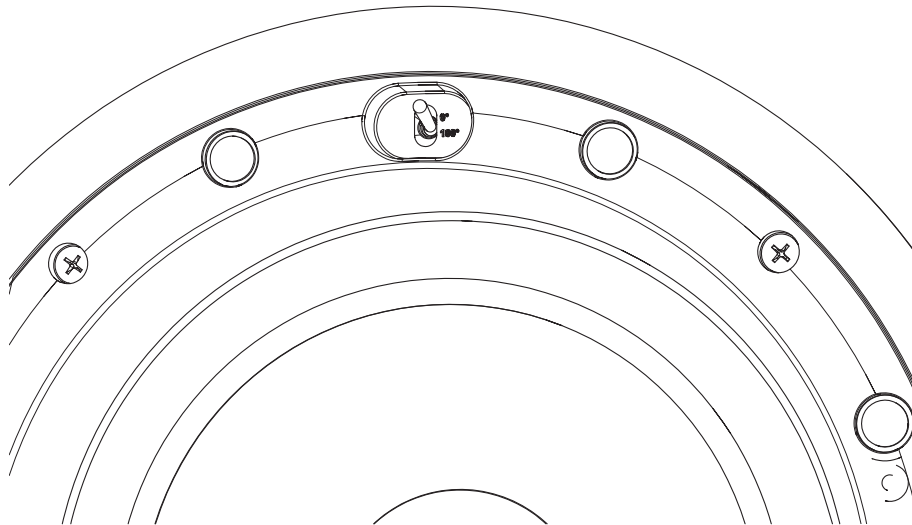
5) Tighten the screws for proper fixation of the speaker.



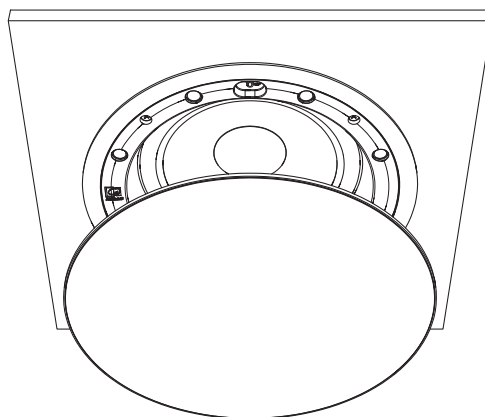
6) Depending on your installation and preferred sound, the volume of the satellites relative to the subwoofer can be increased and decreased by 3 dB.



7) Depending on the acoustical properties of your room and placement of the subwoofer, the sub can be better integrated in your room when switched to either 0° or 180°. We recommend 0° when all speakers are mounted in a flat wall or ceiling.



8) Attach the grill. Thanks to the magnets, it will snap in place.





# Technical specifications



	CELO8SI
Peak Power handling	2 x 200W
Program Power handling	2 x 100 W
RMS/AES power handling	2 x 50W
Nominal impedance	2 x 8 Ω
Sensitivity 1W/1m	83 dB
Sound pressure Max W/1m	103 dB
Frequency response - 3dB	45 Hz - 200 Hz
Speaker type	Subwoofer 8" aluminium woofer
Cross-over network	Passive built-in
Cross-over frequency	200 kHz
Coverage	-
Connectors	Terminal block connector
Construction	High-Quality ABS
Front finish	Thin edged white grill (RAL9016)
Mounting & handling	4 Screw quick-fixing mechanism
Operating temperature	-20 °C ~ 60 °C
Colour	White (RAL9016) Black (RAL9005)
Dimensions (Ø x d)	275 x 120 mm
Cut-out measurement	Ø 245 mm
Built-in depth	117 mm
Weight	2.75 Kg
Included accessories	Cut-out template GLC08I/W White grill (RAL9016)
Optional accessories	GLC08/B Black grill (RAL9005) GLC08/P Paintable grill







---

Discover more on [audac.eu](http://audac.eu)